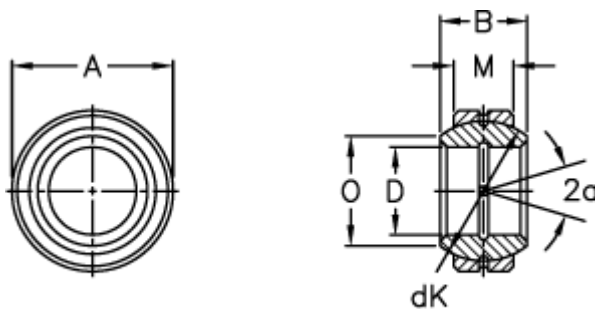


Article number: 03506200

Description: Fluro Rod end GE 200FO-2RS

## Measures



Str. 6-12 uden smørerille

A = 320 0 -0,040

B = 165

D = 200 0 -0,030

dK = 275

Dynamic load C (kN) = 2320

M = 100

O = 220

Static load C0 (kN) = 11600

Tilt angle = 15

Weight = 44800